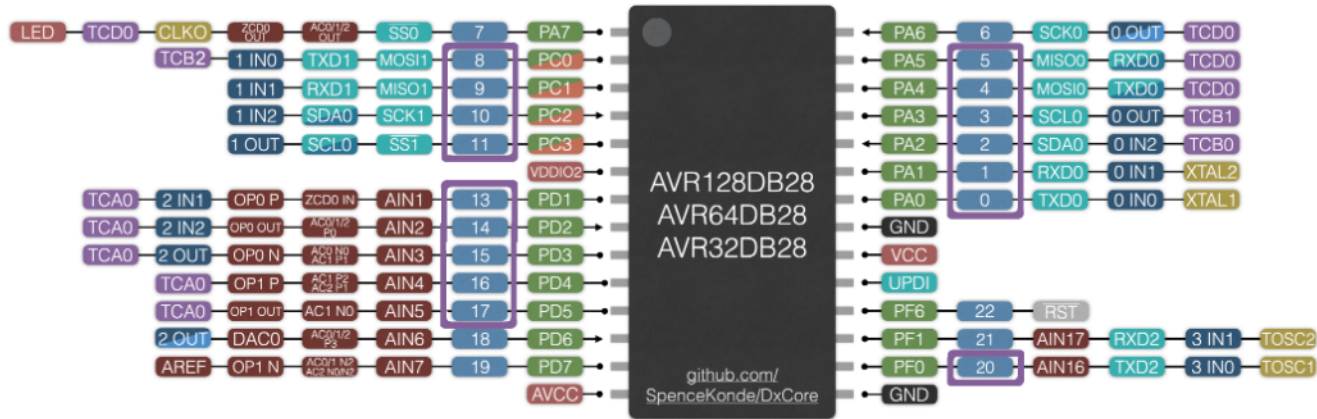


- POWER
- GROUND
- PORT PIN
- ARDUINO PIN
- ANALOG
- CLOCK
- PWM OUTPUT
- DEFAULT CUSTOM LOGIC
- ALT. CUSTOM LOGIC
- MULTIVOLTAGE IO PIN
- DEFAULT SERIAL INTERFACE
- ALT. 1 SERIAL INTERFACE



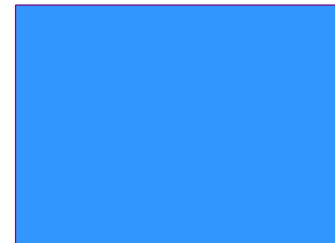
Recommended RESET Circuit

<https://github.com/SpenceKonde/DxCore/blob/master/megaavr/extras/ResetCircuits.png>

NRF24L01 Pinout

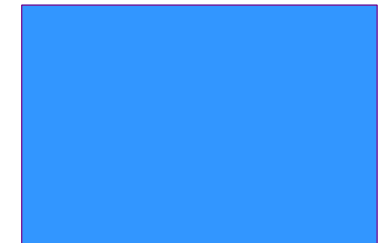


Transmitter



File: Transmitter.kicad_sch

Receiver



File: Receiver.kicad_sch

virtual P1 Cable

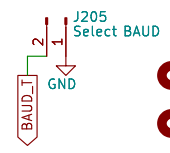
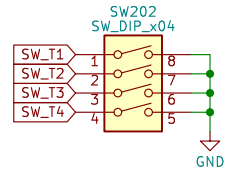
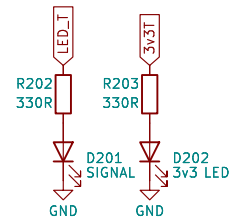
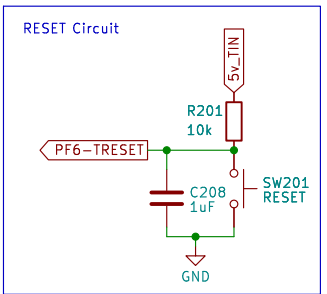
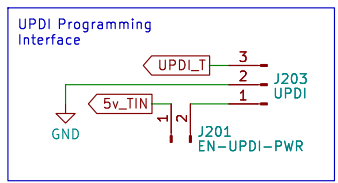
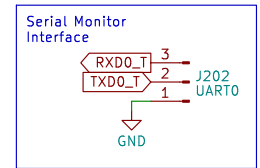
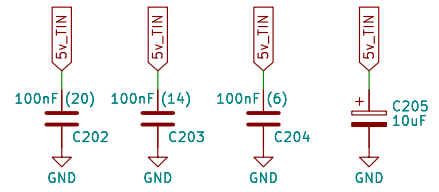
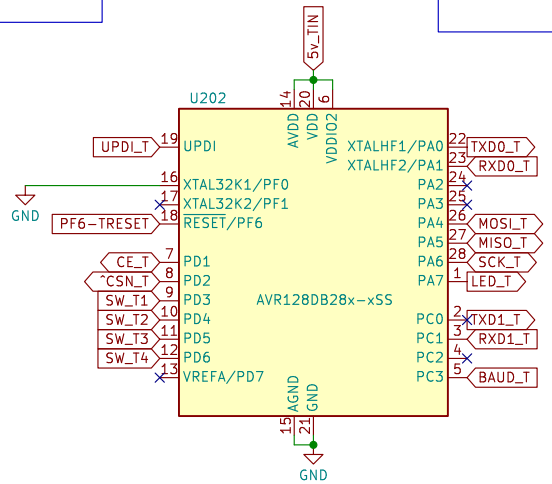
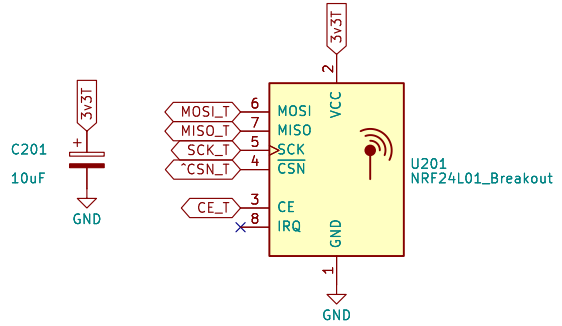
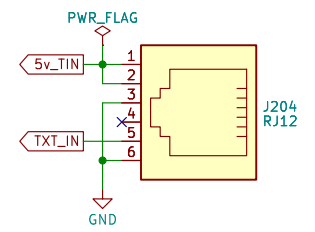
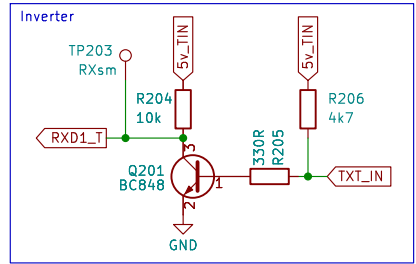
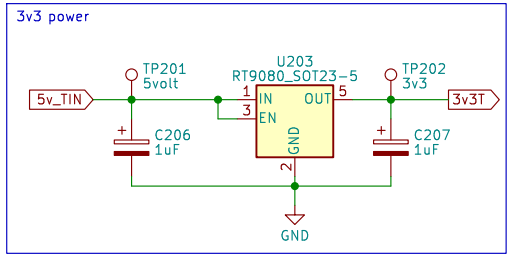
copyright 2023 Willem Aandewiel
Willem Aandewiel

Sheet: /
 File: virtualP1Cable_v10.kicad_sch

Title: virtual P1 Cable

Size: A4 Date: 2023-07-14
 KiCad E.D.A. kicad (7.0.0-0)

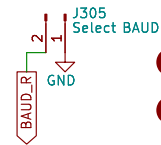
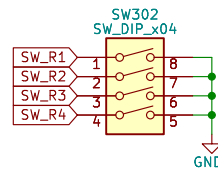
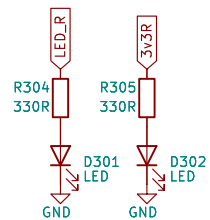
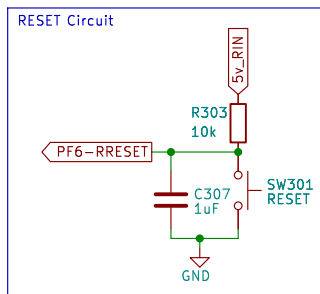
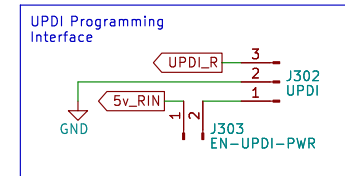
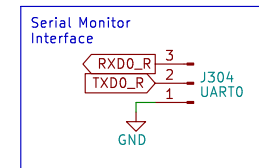
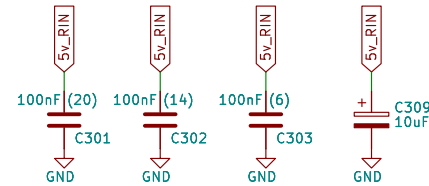
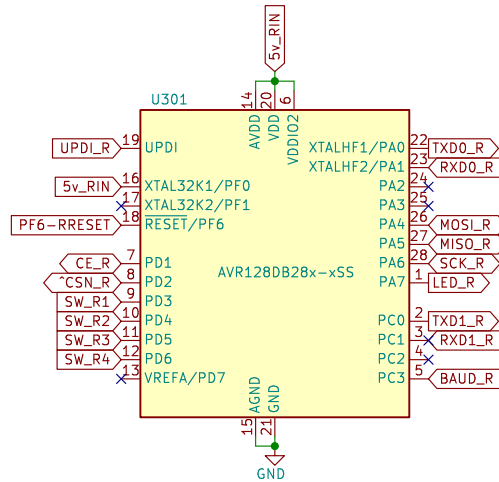
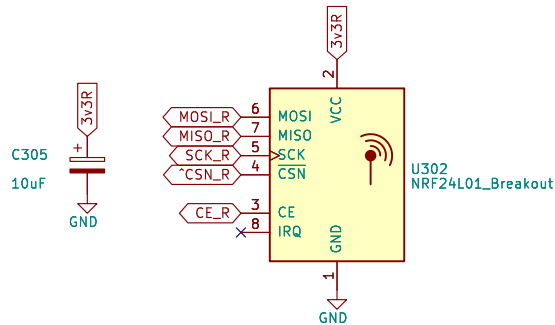
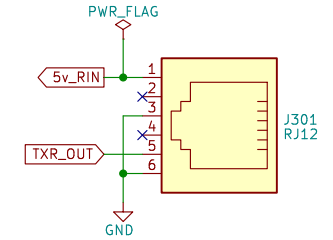
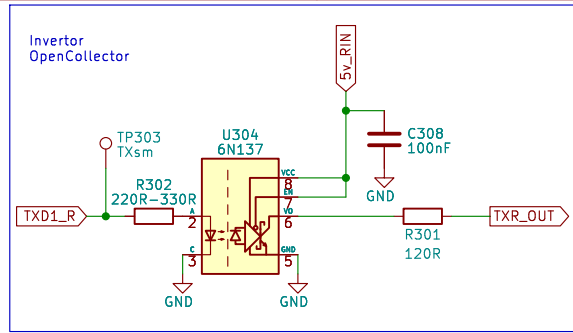
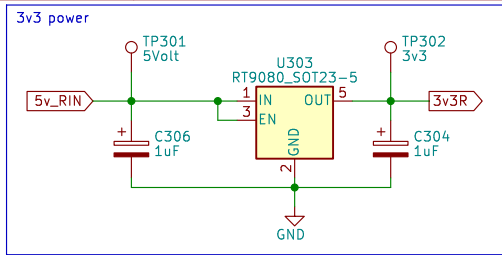
Rev: 1.0
 Id: 1/3



- H201
- H202
- H203
- H204

virtual P1 Cable Transmitter

copyright 2023 Willem Aandewiel	
Willem Aandewiel	
Sheet: /Transmitter/	
File: Transmitter.kicad_sch	
Title: virtual P1 Cable	
Size: A4	Date: 2023-07-14
KiCad E.D.A. kicad (7.0.0-0)	Rev: 1.0
	Id: 2/3



- H1
- H2
- H3
- H4

virtual P1 Cable

copyright 2023 Willem Aandewiel
Willem Aandewiel
 Sheet: /Receiver/
 File: Receiver.kicad_sch

Title: virtual P1 Cable

Size: A4 Date: 2023-07-14
 KiCad E.D.A. kicad (7.0.0-0)

Receiver

Rev: 1.0
 Id: 3/3