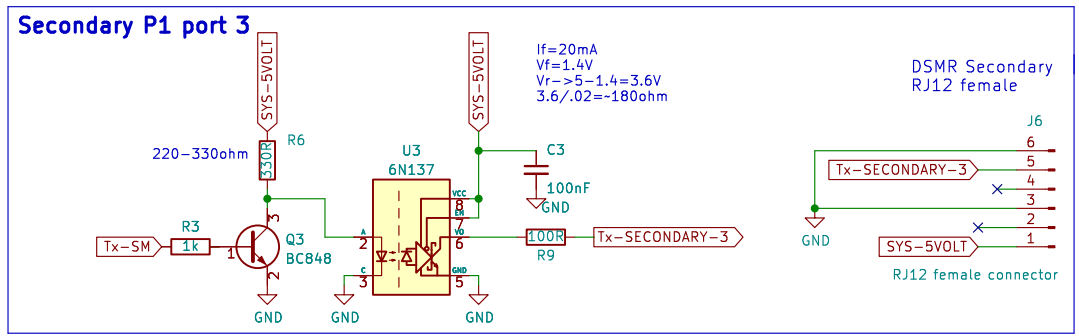
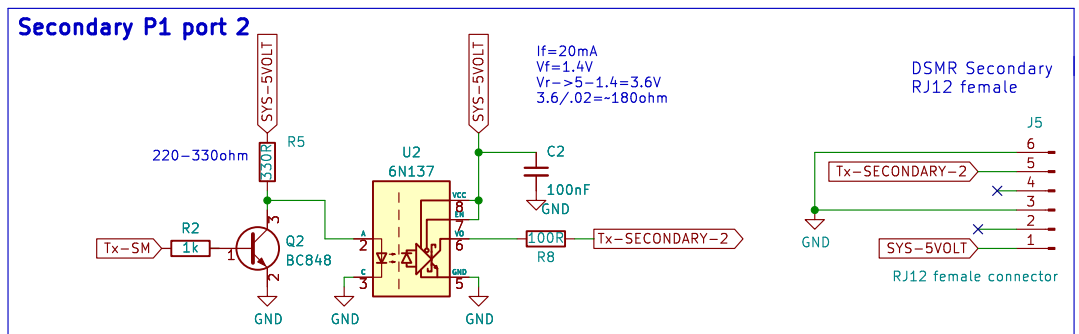
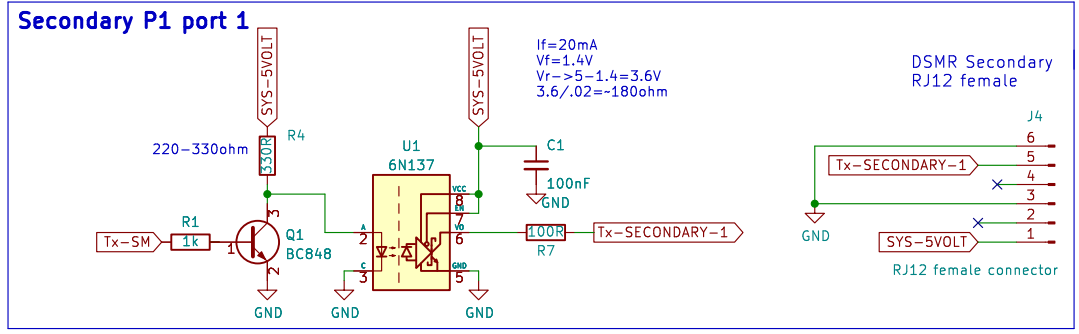


Pin2 -> Pin1
Rev. 2.0



Slimme Meter P1 HUB

copyright 2023 - Willem Aandewiel

Sheet: /
File: P1_HUB_v20.kicad_sch

Title: Slimme Meter P1 HUB

Size: A4 Date: 2023-04-01
KiCad E.D.A. kicad (7.0.0-0)

Rev: Rev. 2.0
Id: 1/1

