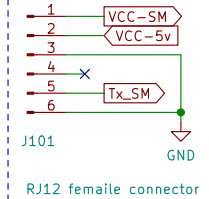
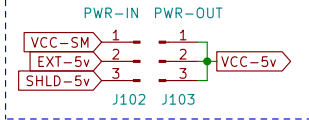


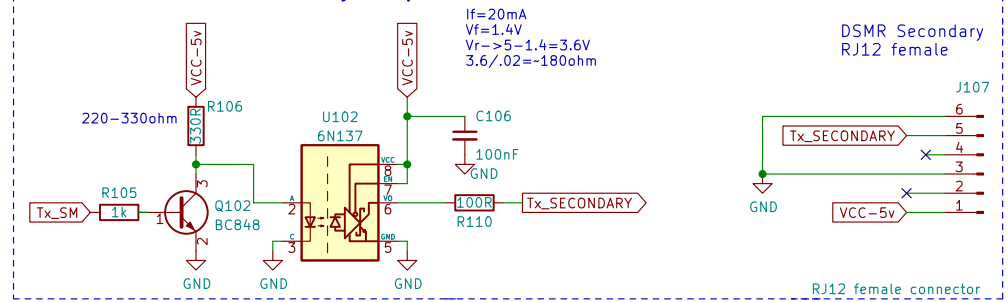
Slimme Meter P1 RJ12 female



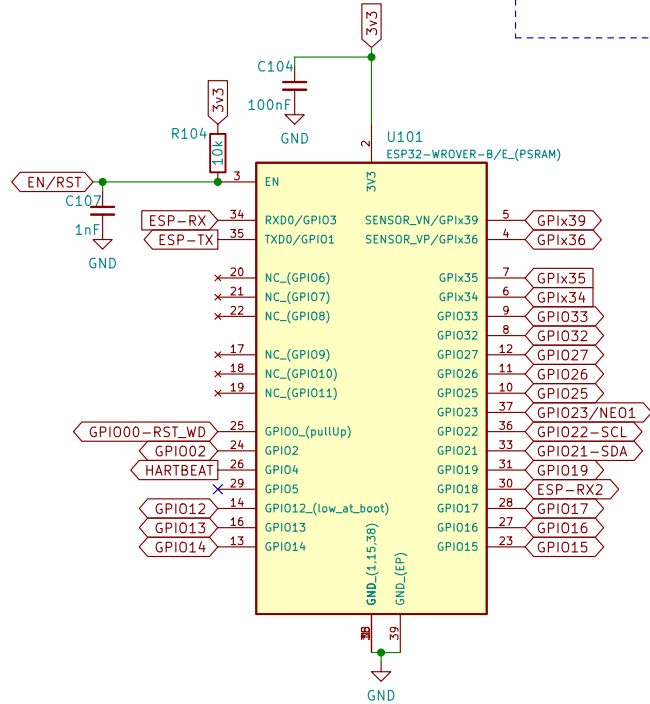
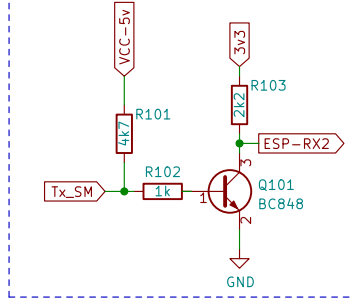
Power Selector



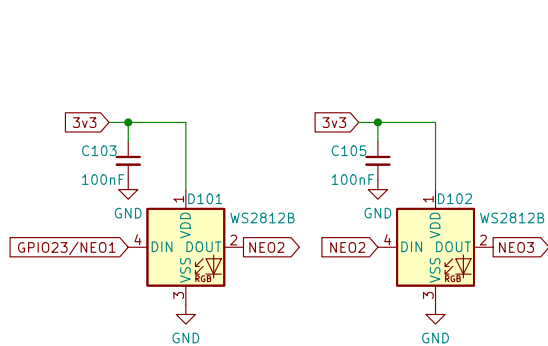
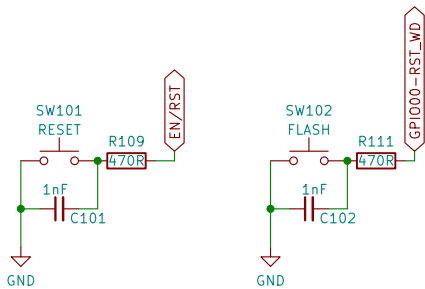
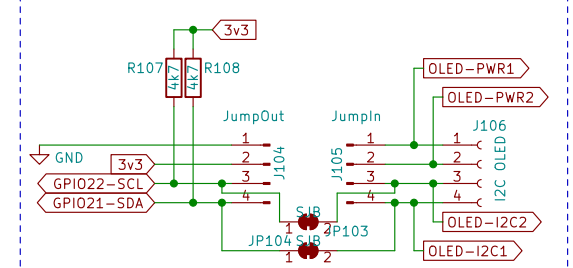
Secondary P1 port



Level-Shifter/Inverter



I2C OLED Interface



DSMRloggerESP32-B

File: DSMRloggerESP32-B.kicad_sch

DSMRloggerESP32

- H101
- H102
- H103
- H104

copyright (c) Willem Aandewiel

Sheet: /
File: DSMRloggerESP32_v5.kicad_sch

Title: ADW2211 DSMRloggerESP32

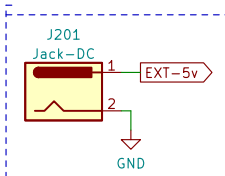
Size: A4 Date: 2022-12-31

KiCad E.D.A. kicad (6.0.2-0)

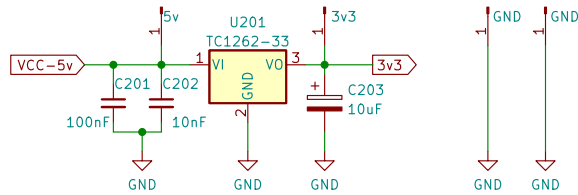
Rev: Rev. 5.2

Id: 1/2

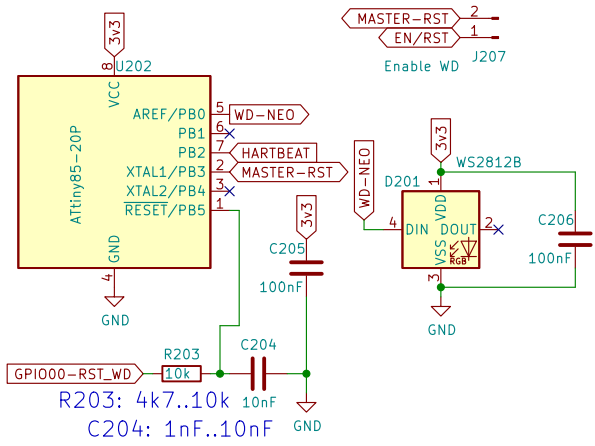




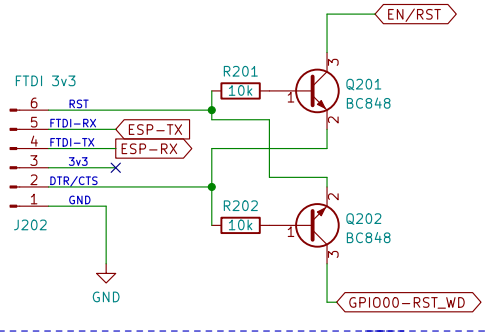
Voltage Regulator 3v3



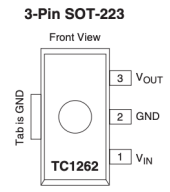
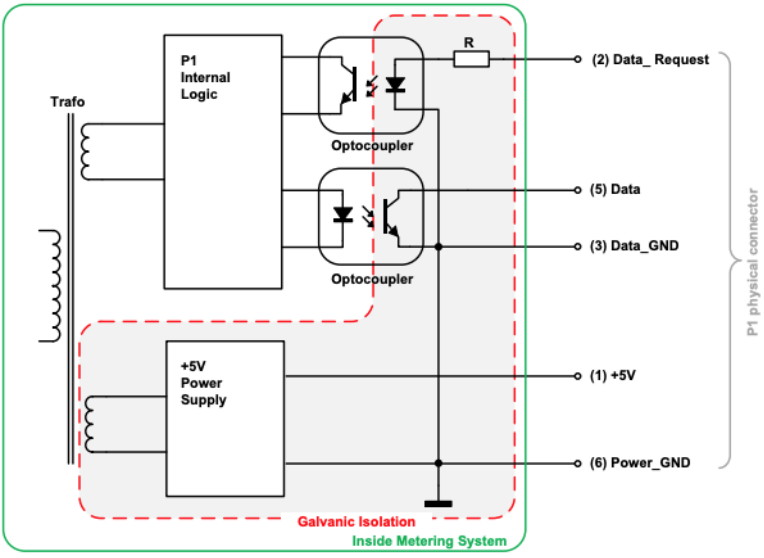
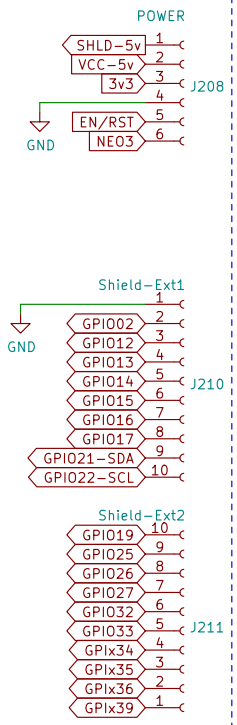
External Watch Dog



FTDI port



Shield Connectors



DSMRloggerESP32

copyright (c) Willem Aandewiel
 Sheet: /DSMRloggerESP32-B/
 File: DSMRloggerESP32-B.kicad_sch

Title: ADW2211 DSMRloggerESP32

Size: A4	Date: 2022-12-31	Rev: Rev. 5.2
KiCad E.D.A. kicad (6.0.2-0)		Id: 2/2